

隔膜阀 Diaphragm Valve

隔膜阀 Diaphragm Valve

应用:

隔膜阀广泛适用于卫生级的酿酒、乳制品以及饮料等工业以及制药领域，实现对管道流体的控制和开/关任务。

Application:

Diaphragm valve, it is widely used on wine, dairy products, beverage, foodstuff industry, pharmacy etc. To achieve the requirement of control and open/close for the pipeline system.



工作原理

膜片提供阀体密封和阀座密封。里面没有路径通到外部环境，所以该阀门适用于无菌过程。

当阀门关闭时，支撑膜片的压力垫朝阀体上的密封面移动。当压力板移动时，膜片弯曲，被推向阀体中心的阀座区域，因此关闭了通向阀体的流体路径。

该阀门可以手动操作，也可以通过控制器和电磁阀控制。

Operating Principle:

The diaphragm provides the body seal and the seat seal. There are no paths to the outside environment so it is suitable for aseptic processes.

When the valve is shut down, the pressure pad which supports the diaphragm moves to the sealing surface of body.

When the pressure plate moves the diaphragm flexes and is pushed to the seat area in the center of the body. Then close off the flow path through the valve body.

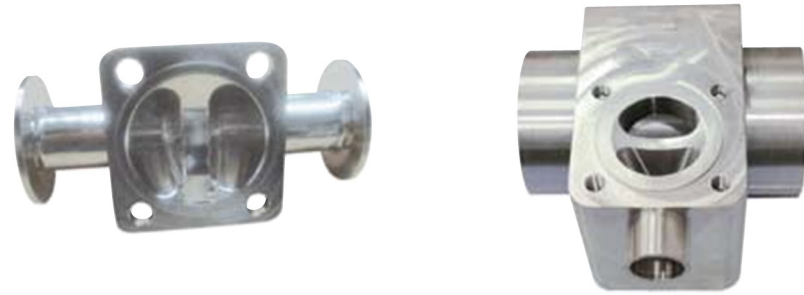
The valve can be manual operation and pneumatic operation, or controlled by tops of solenoid valves.



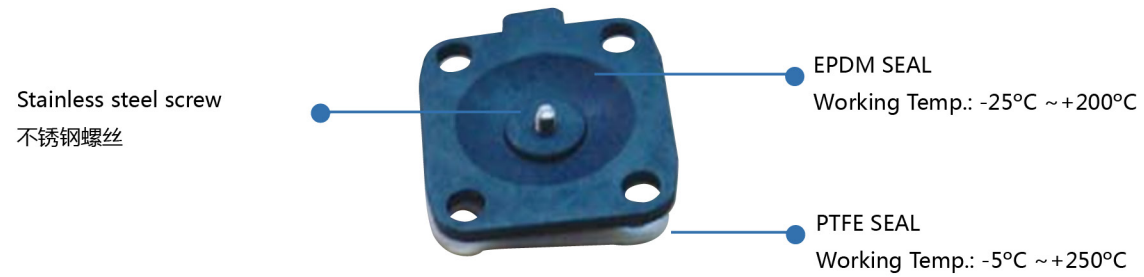
技术参数 Technical Details

金属材料 Material	阀体 Valve body	304L / 316L (1.4301 / 1.4404) 304L / 316L (1.4301 / 1.4404)	可提供材质检测报告单 Material inspection report is available
密封材质 Sealing material	三元乙丙 (EPDM) / 硅橡胶 (Silicone) / 氟橡胶 (FPM)		采用进口密封材料，所有密封材质均符合 FDA 117.2600/FDA 117.1210 Adopt imported sealing materials, all the seal material conform to The FDA 117.2600/FDA 117.1210
压力 Pressure	工作压力 Pressure of work	0~10bar	
	控制气源压力 Control air pressure	5~8bar	
温度 Temperature	工作温度 Working temperature	EPDM :(-25°C ~ +150°C) Silicone:(-50°C ~ +200°C) FPM:(-5°C ~ +250°C)	
	灭菌温度 Sterilization temperature	150°C (MAX 20min)	
表面处理 Surface treatment	内表面处理 Inside surface treatment	Ra ≥ 0.4-0.8μm	
	外表面处理 Surface treatment	Ra ≥ 0.8-1.6μm	
连接方式 Connection	焊接口标准 Weld standard	DIN 11850 / SMS / 3A / ISO	
	连接方式: 焊接、卡箍、螺纹、法兰 Connection : welding, clamp, thread, flange		
气动控制 Pneumatic control	气动头及固定支架 Pneumatic head and fixed bracket		

隔膜阀 Diaphragm Valve

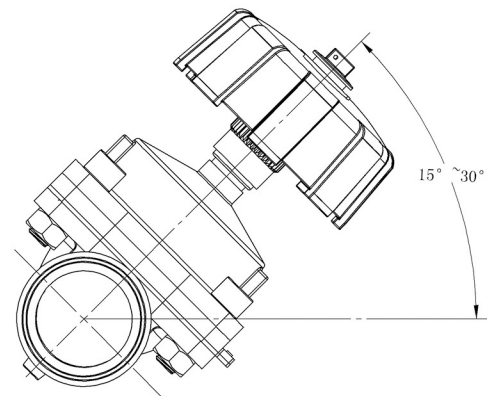


Internal Structure Of The Diaphragm



隔膜阀最优安装角度示意图

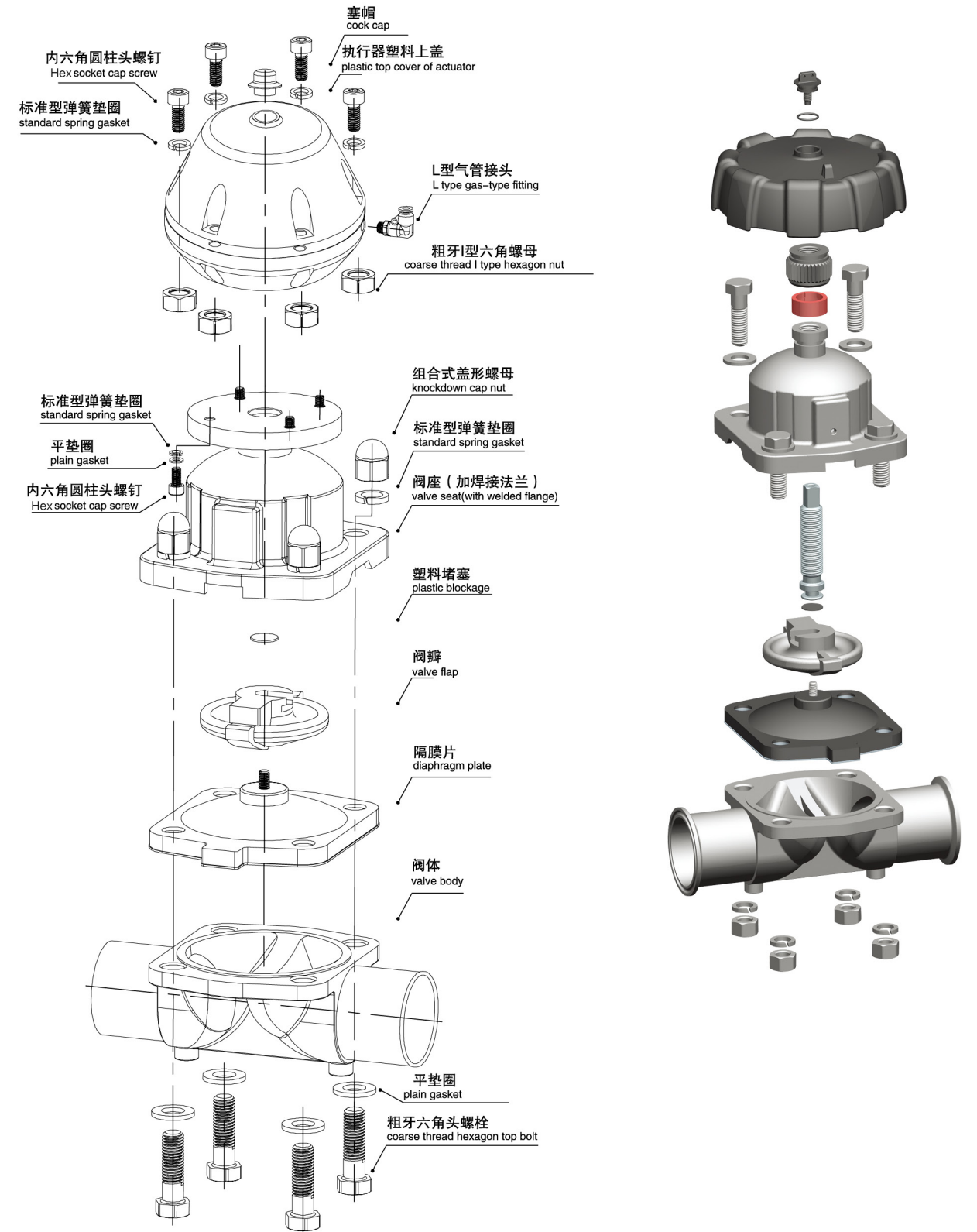
无菌隔膜阀根据其结构特点：推荐15~30度角安装（根据不同的规格而定），有利于阀门清洗后完全排泄，不易造成液体滞留阀门内部。

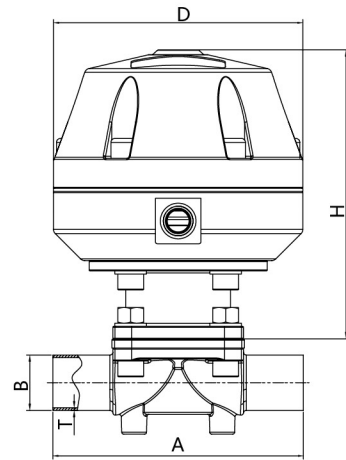


Optimal Installation Angle Diagram

According to the structure feature, 15-30 degree is optimal, which makes for complete drain after cleaning and keep no residue.

隔膜阀 Diaphragm Valve

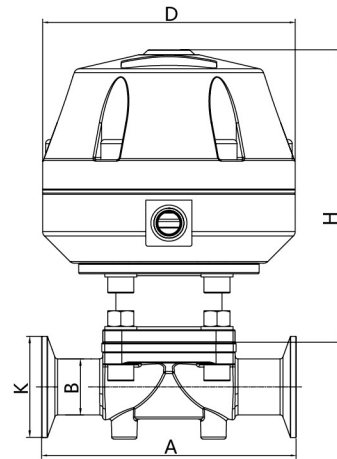




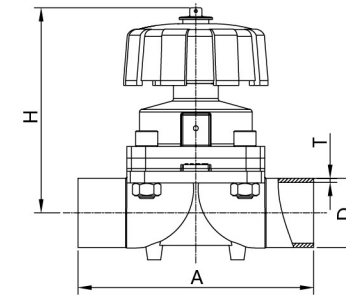
卫生级气动焊接式隔膜阀
Sanitary Pneumatic Welded Diaphragm Valve

DIN	INCH	A	D	H
DN15 B×T 19×1.5	3/4" B×T 19.1×1.65	108	90	125
DN20 B×T 23×1.5	-	118	90	125
DN25 B×T 29×1.5	1" B×T 25.4×1.65	127	126	160
DN32 B×T 35×1.5	1.25" B×T 31.8×1.65	146	150	190
DN40 B×T 41×1.5	1.5" B×T 38.1×1.65	160	150	190
DN50 B×T 53×1.5	2" B×T 50.8×1.65	190	150	190

卫生级气动快装式隔膜阀
Sanitary Pneumatic Clamped Diaphragm Valve

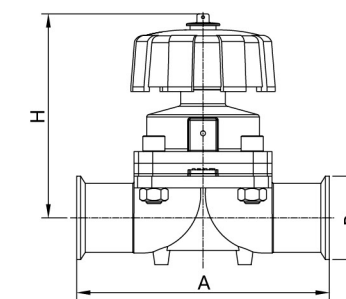


DIN	INCH	A	D	H
DN15 B 19 K 34	3/4" B 19.1 K 25.4	108	90	125
DN20 B 23 K 50.5	-	118	90	125
DN25 B 29 K 50.5	1" B 25.4 K 50.5	127	126	160
DN32 B 35 K 50.5	1.25" B 31.8 K 50.5	146	150	190
DN40 B 41 K 50.5	1.5" B 38.1 K 50.5	160	150	190
DN50 B 53 K 64	2" B 50.8 K 64	190	150	190



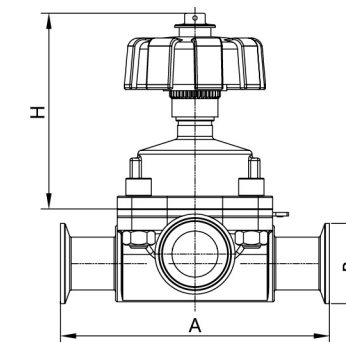
卫生级手动焊接式隔膜阀
Sanitary Manual Welded Diaphragm Valve

SIZE	A	D	H	T
DN10	72	13	74.5/79.5	1.5
DN15	108	19	90.5/99.5	1.5
DN20	118	23	111.5/122	1.5
DN25	127	29	111.5/122	1.5
DN32	146	35	131/148.5	1.5
DN40	160	41	131/148.5	1.5
DN50	190	53	160.5/187	1.5
DN65	216	70	199/228	2



卫生级手动卡箍式隔膜阀
Sanitary Manual Clamped Diaphragm Valve

SIZE	A	B	H
DN10	72	25	74.5/79.5
DN15	108	34	90.5/99.5
DN20	118	50.5	111.5/122
DN25	127	50.5	111.5/122
DN32	146	50.5	131/148.5
DN40	160	50.5	131/148.5
DN50	190	64	160.5/187
DN65	216	91	199/228



卫生级手动T型三通隔膜阀
Sanitary Manual T-Type Three-Way Diaphragm Valve

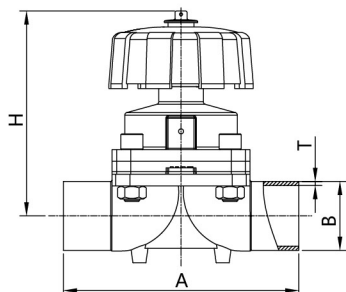
SIZE	A	B	H
DN15	108	34	93/103.5
DN20	118	50.5	93/103.5
DN25	127	50.5	93/103.5
DN32	146	50.5	107/124.5
DN40	160	50.5	107/124.5
DN50	190	64	129/151.5

本 DIN 尺寸数据仅为 DIN 其中一个系列。请参考图册尾页了解更多 DIN 系列数据。
This DIN dimension is only one of DIN series. Please check more DIN series information on the final pages of this book.

隔膜阀 Diaphragm Valve

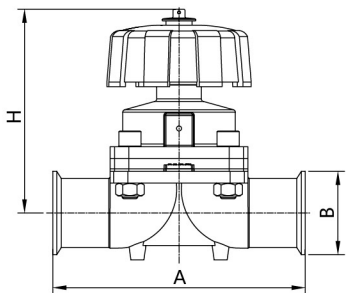
INCH

卫生级手动焊接式隔膜阀 Sanitary Manual Welded Diaphragm Valve



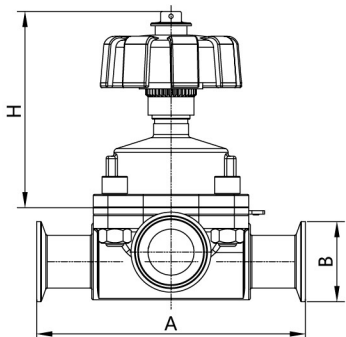
SIZE	A	B	H	T
1/2"	72	12.7	74.5/79.5	1.65
3/4"	108	19.1	90.5/99.5	1.65
1"	127	25.4	111.5/122	1.65
1.25"	146	31.8	131/148.5	1.65
1.5"	160	38.1	131/148.5	1.65
2"	190	50.8	160.5/187	1.65
2.5"	216	63.5	199/228	1.65

卫生级手动卡箍式隔膜阀 Sanitary Manual Clamped Diaphragm Valve



SIZE	A	B	H
1/2"	72	25.4	74.5/79.5
3/4"	108	25.4	90.5/99.5
1"	127	50.5	111.5/122
1.25"	146	50.5	131/148.5
1.5"	160	50.5	131/148.5
2"	190	64	160.5/187
2.5"	216	77.5	199/228

卫生级手动T型三通隔膜阀 Sanitary Manual T-Type Three-Way Diaphragm Valve



SIZE	A	B	H
3/4"	108	25.4	93/103.5
1"	127	50.5	93/103.5
1.25"	146	50.5	107/124.5
1.5"	160	50.5	107/124.5
2"	190	64	129/151.5